

 **Quilt Beginnings** 
Babylock Solaris Upgrade 1 Play Date
Supply List

Instructor: Pam Churches

Date: Wednesday, October 14, 2020 from 10 a.m. - 4 p.m.

Pattern: Provided in Class

Project description: Create a table runner on an exclusive Babylock panel using many of the upgrade features.

NOTE: You must have a Babylock Solaris with upgrade 1 installed (or the new Solaris 2) in order to take this class.

PLEASE READ ALL OF THE INSTRUCTIONS SO YOU WILL BE PREPARED FOR THE CLASS. WE WILL BE WORKING AT A QUICK PACE. ALSO, YOU MUST BRING ALL OF THE ATTACHMENTS LISTED AS EXTRA FEET, ETC. WILL NOT BE AVAILABLE ON THE DAY OF THE CLASS. THEY ARE SPECIALTY ITEMS AND THE STORE DOES NOT HAVE EXCESS INVENTORY ON HAND. DUE TO THE COVID-19 RESTRICTIONS, THE STORE IS OPEN TO FIVE CUSTOMERS AT A TIME SO CLASS PARTICIPANTS MUST WAIT THEIR TURN FOR PURCHASES.

Fabric requirements: Fabric kit provided with class fee includes the exclusive Babylock panel, fusible batting, backing, and binding fabric.

Supplies:

- Babylock Solaris with upgrade 1 installed or the new BL Solaris 2
- Embroidery unit, embroidery foot, power cord, and FOOT PEDAL
- Universal foot
- Magnetic upright spool stand
- Digital Dual feed attachment with yarn couching foot (large foot with small hole for yarn insertion), and yarn couching guide (fits on side of machine)
- Yarn threader (small wire with end opening to insert yarn through foot)

PLEASE SEE OTHER SIDE FOR ADDITIONAL INFORMATION!

✦ Quilt Beginnings ✦

Yarn couching EMBROIDERY foot and yarn guide - foot has pigtail on the side of it - there are two separate yarn guides

10 5/8" X 16" hoop

10 5/8" x 10 5/8" hoop

NOTE: ALL OF THE ABOVE ITEMS WERE INCLUDED WITH YOUR MACHINE PURCHASE OR THE UPGRADE KIT; IF YOU HAVE THE UPGRADE, YOU HAVE THESE ITEMS!

Clear monofilament thread

Empty bobbins - at least two for embroidery

Three ply yarn - hot pink or golden yellow (see thread colors - next item)

Embroidery thread -

Sample uses Floriani thread colors PF503 gold and PF128 hot pink; these colors match the panel provided; yarn either of these colors will match beautifully

Thread snips and seam ripper (just in case)

Neutral thread for binding

Optional USB stick - If you would like the power point, please bring a USB stick and we will download it for future reference.

NOTE: Due to COVID-19 masks are required in the classroom. Eating in the classroom is not permitted; please be respectful of other guests who may be immune compromised. There will be a lunch break - no instruction will take place during this time. Feel free to bring your lunch and sit in your car or on the chairs provided.

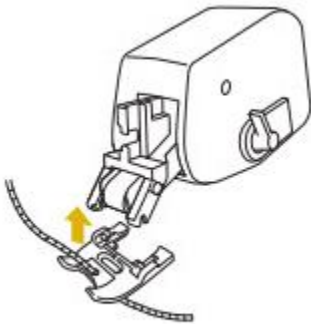
IF YOU HAVE ANY QUESTIONS, PLEASE STOP IN OR CALL THE SHOP

LOOKING FORWARD TO SEEING EVERYONE IN CLASS!

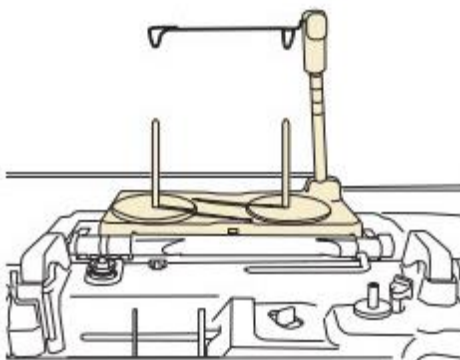
Accessories included with Solaris and Solaris upgrade 1 kit that are needed for Solaris upgrade 1 class



Yarn couching embroidery foot – pigtail on side



Dual feed attachment with yarn couching foot – foot is a larger foot with small hole for inserting yarn



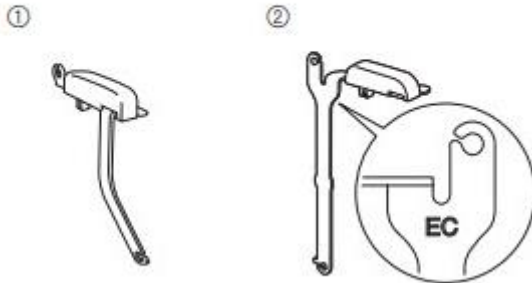
Magnetic upright spool stand

Additional accessories on reverse side

Accessories included with Solaris and Solaris upgrade 1 kit that are needed for Solaris upgrade 1 class

 **Note**

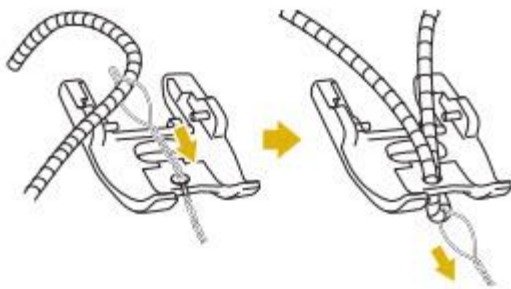
- There are two yarn guides: one for sewing couching and one for embroidery couching. Check the shape of the part, and then install the appropriate guide.



① Yarn guide for sewing couching

② Yarn guide for embroidery couching

Yarn couching guides



Couching foot with threader